



**A.D. PRODUZIONE SRL**

+39 02 33 50 24 97

info@adproduzione.it

www.adproduzione.com

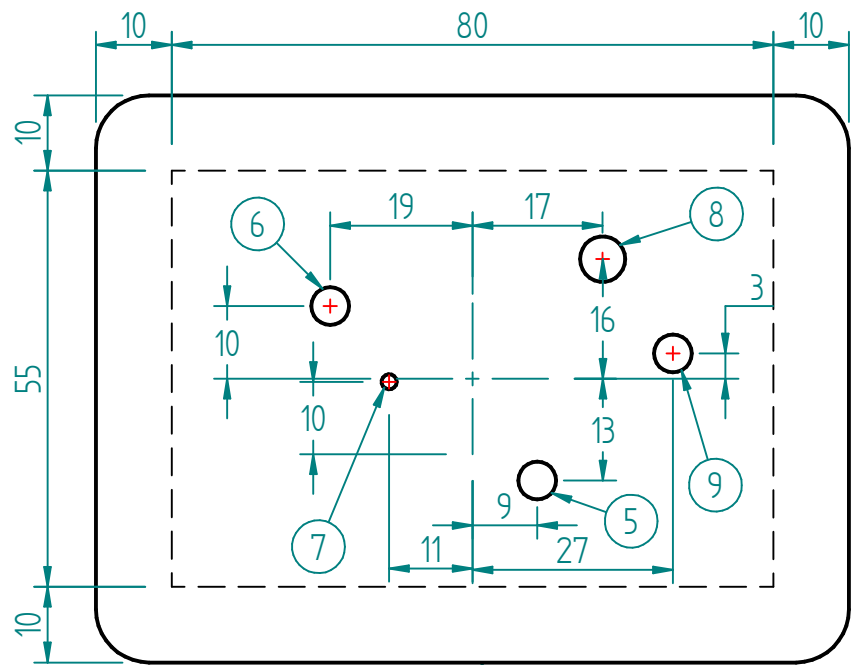
CAR-MATS WASHER - mod. LT - LT-B - LT-ECO

Unite of measure: cm

## EXAMPLE OF MASONRY WORKS

FOR TECHNICAL DETAILS ASK TO A PROFESSIONAL TECHNICIAN

--- MACHINE MAIN DIMENSIONS



FRONT OF THE MACHINE

- 1) Washed sand
- 2) Lean concrete with 10 cm thickness with 5 mm diameter welded mesh
- 3) Walkable floor - Flooring as per your forecourt
- 4) cls r' ck 250 kg/cm<sup>2</sup>
- 5) Grounding obligation - Ground connection point of the structure (the cord must come out by 1 m from the flooring)
- 6) 50 mm diameter p.v.c. hose for passing:  
the 3P+N+T type electric cable section 2,5 mm = mod. LT 400 - LT 400-B - LT 400-ECO  
the P+N+T type electric cable section 2,5 mm = mod. LT 230 - LT 230-B - LT 230-ECO  
(the cable must come out at least 1 meters out of the flooring to allow the electrical connection)
- 7) 1/2" tube with gate valve - incoming water with min. pressure 3 bar
- 8) 60 mm diameter water exhaust p.v.c. tube (preparing tube slope to help water drainage)
- 9) hose for centralized vacuum system of tokens

### CAUTION

- Interventions to be checked in accordance with geotechnical conditions of soil.
- Electrical connections made during installation must ensure the regulations in force.
- Installed power: 1 kW (for all models).
- Electrical cables must not be twisted, overlapping and rubbing against sharpe edge.
- All the extremities of the tubes must stick out by 20 cm.

