

A.D. PRODUZIONE SRL

+39 02 33 50 24 97
info@adproduzione.it
www.adproduzione.com

A.D. Produzione s.r.l.

TEAR-OFF PAPER DISPENSER - mod. DCXN

Unite of measure: cm

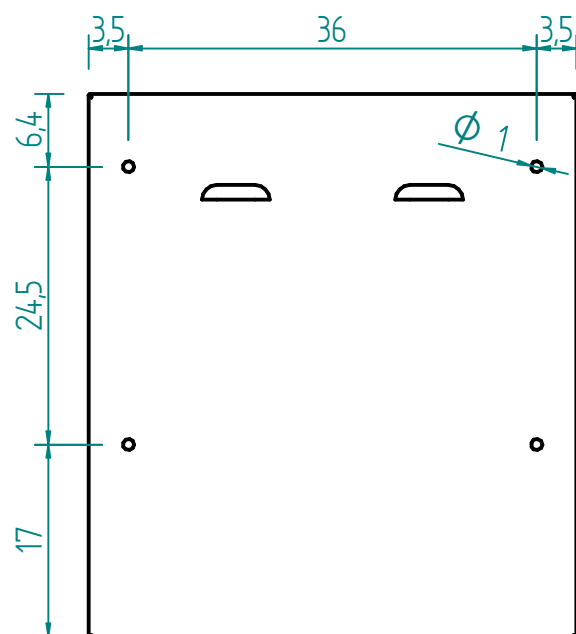
EXAMPLE OF MASONRY WORKS

FOR TECHNICAL DETAILS ASK TO A
PROFESSIONAL TECHNICIAN

CAUTION

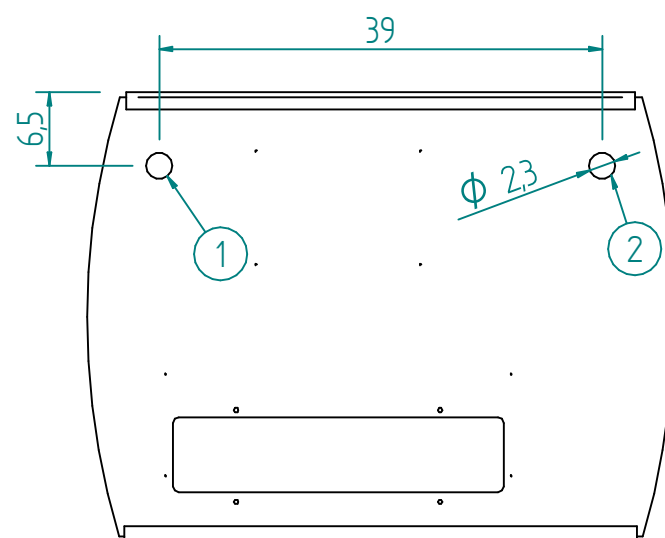
- Interventions to be checked in accordance with the wall conditions.
- Electrical connections made during installation must ensure the regulations in force.
- Installed power: 200 W.
- Electrical cables must not be twisted, overlapping and rubbing against sharpe edge.

BACK PANEL – **FACE A**



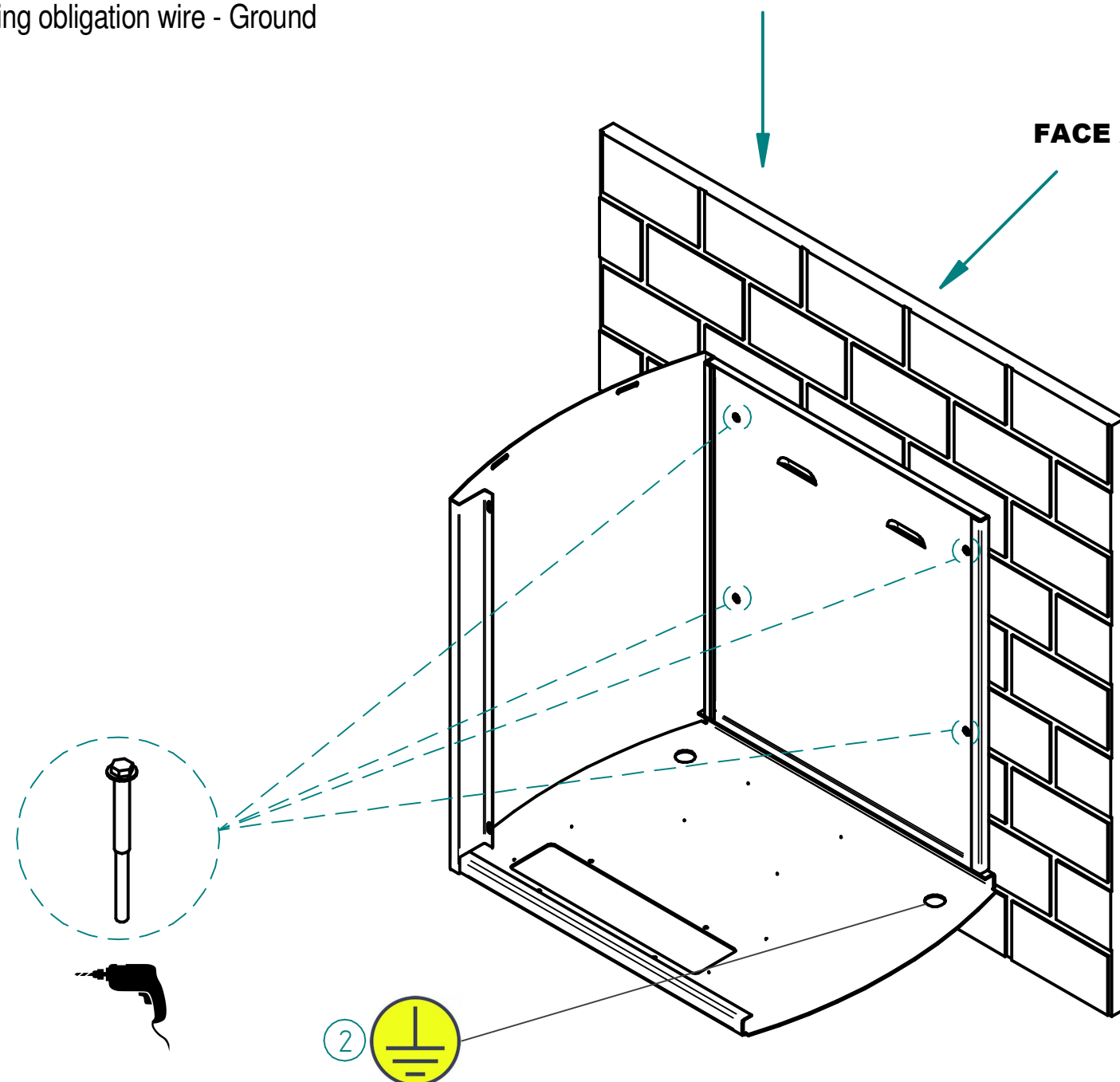
- 1) Hole for the passage of the electrical wire P+N+T section 2,5 mm
- 2) Hole for the passage of the grounding obligation wire - Ground connection point of the structure.

INFERIOR PANEL – **FACE B**



FACE B

FACE A



In order to fix the machine, please use properly dowels for the wall where you will place it.