

A.D. PRODUZIONE SRL

+39 02 33 50 24 97

info@adproduzione.it

www.adproduzione.com

A.D. Produzione s.r.l.

WASTE BASKET- mod. CPR

Unite of measure: cm

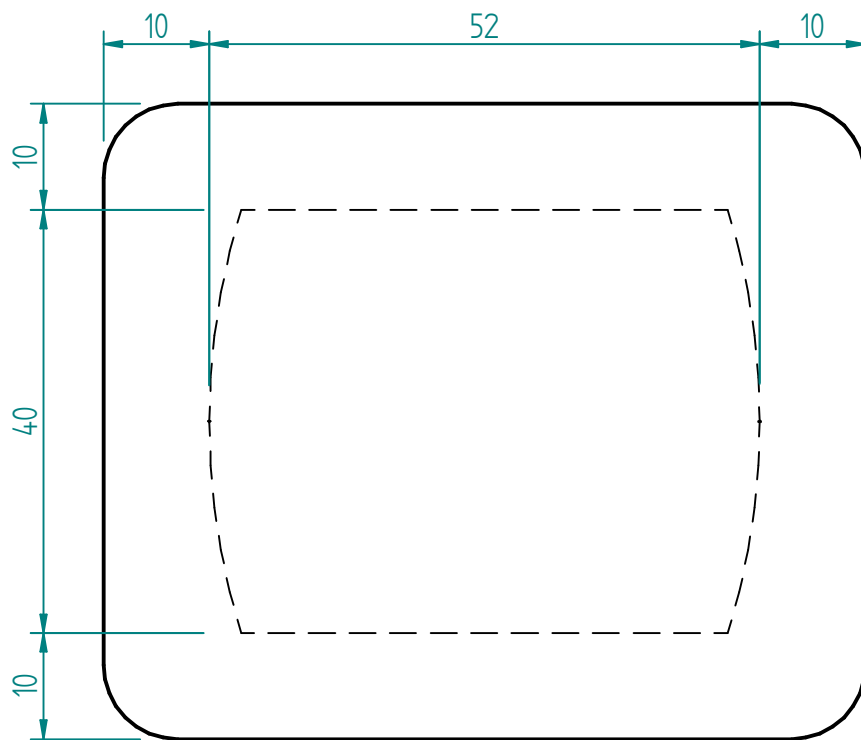
EXAMPLE OF MASONRY WORKS

FOR TECHNICAL DETAILS ASK TO A PROFESSIONAL TECHNICIAN

CAUTION

- Interventions to be checked in accordance with geotechnical conditions of soil.

--- MACHINE MAIN DIMENSIONS



- 1) Washed sand
- 2) Lean concrete with 10 cm thickness with 5 mm diameter welded mesh
- 3) Walkable floor - Flooring as per your forecourt
- 4) cls r' ck 250 kg/cm²

