

A.D. PRODUZIONE SRL

+39 02 33 50 24 97

info@adproduzione.it

www.adproduzione.com

A.D. Produzione s.r.l.

LEATHER SQUEEZER - mod. SP19

Unite of measure: cm

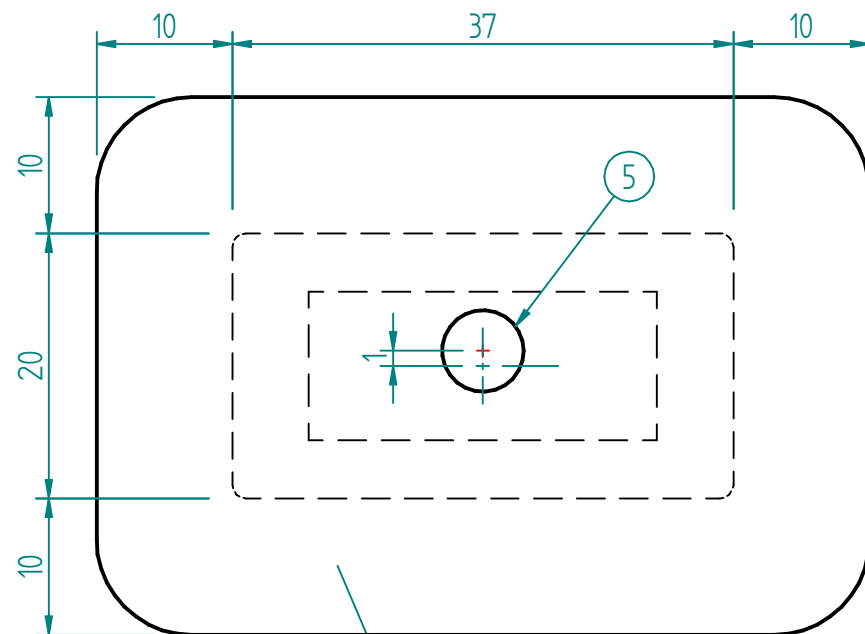
EXAMPLE OF MASONRY WORKS

FOR TECHNICAL DETAILS ASK TO A PROFESSIONAL TECHNICIAN

CAUTION

- Interventions to be checked in accordance with geotechnical conditions of soil.
- All the extremities of the tubes must stick out by 20 cm.

--- MACHINE MAIN DIMENSIONS



FRONT OF THE MACHINE

- 1) Washed sand
- 2) Lean concrete with 10 cm thickness with 5 mm diameter welded mesh
- 3) Walkable floor - Flooring as per your forecourt
- 4) cls r' ck 250 kg/cm²
- 5) 60 mm diameter water exhaust p.v.c. tube (preparing tube slope to help water drainage)

