

A.D. PRODUZIONE SRL

+39 02 33 50 24 97

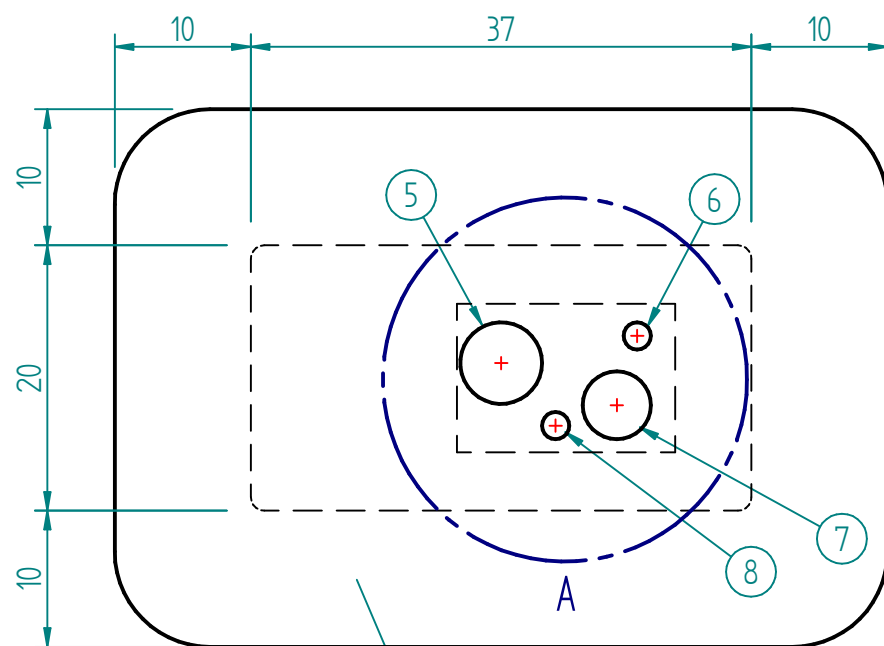
info@adproduzione.it

www.adproduzione.com

LEATHER SQUEEZER - mod. SPC21M - SPC21E

Unite of measure: cm

--- MACHINE MAIN DIMENSIONS



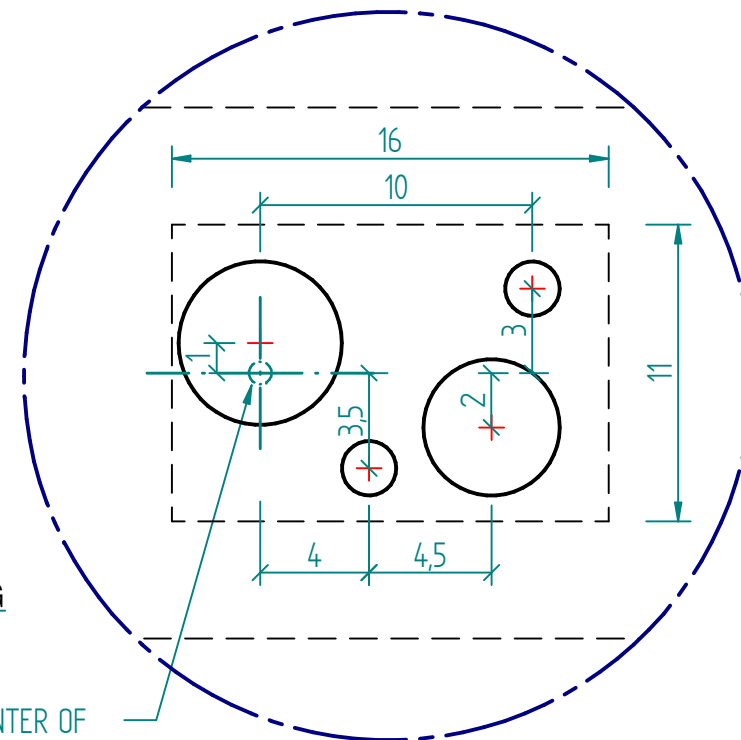
FRONT OF THE MACHINE



EXAMPLE OF MASONRY WORKS

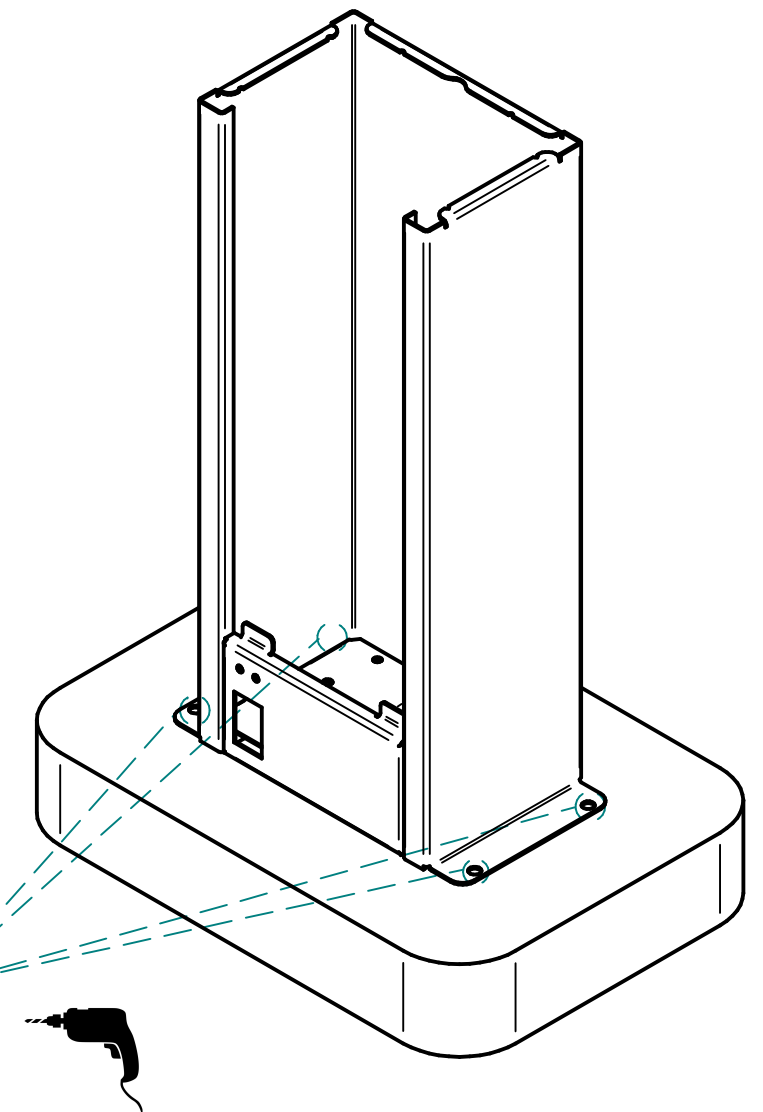
FOR TECHNICAL DETAILS ASK TO A PROFESSIONAL TECHNICIAN

- 1) Washed sand
 - 2) Lean concrete with 10 cm thickness with 5 mm diameter welded mesh
 - 3) Walkable floor - Flooring as per your forecourt
 - 4) cls r' ck 250 kg/cm²
 - 5) 60 mm diameter water exhaust p.v.c. tube (preparing tube slope to help water drainage)
 - 6) 1/2" tube with gate valve - incoming water with min. pressure 3 bar
- If you have the electrical pedal and the antifreeze system (optional):
- 7) 50 mm diameter p.v.c. hose for the passage of the P+N+T type electric cable section 2,5 mm (the cable must come out at least 1 meter out of the flooring to allow the electrical connection)
 - 8) Grounding obligation - Ground connection point of the structure (the cord must come out by 1 m from the flooring)



DETAIL A

CENTER OF THE MACHINE



CAUTION

- Interventions to be checked in accordance with geotechnical conditions of soil.
- Electrical connections made during installation must ensure the regulations in force.
- Installed power, if you have the electrical pedal and the antifreeze system (optional): 500 W (230 V).
- Electrical cables must not be twisted, overlapping and rubbing against sharpe edge.
- All the extremities of the tubes must stick out by 20 cm.

